

Catalog:	
Type:	Notes:
Project:	

AC BAR LED LUMINAIRE

Applications

Retail, Hospitality, Display and Architectural interior applications for cove, wall wash, signage and display case lighting.

Product Description

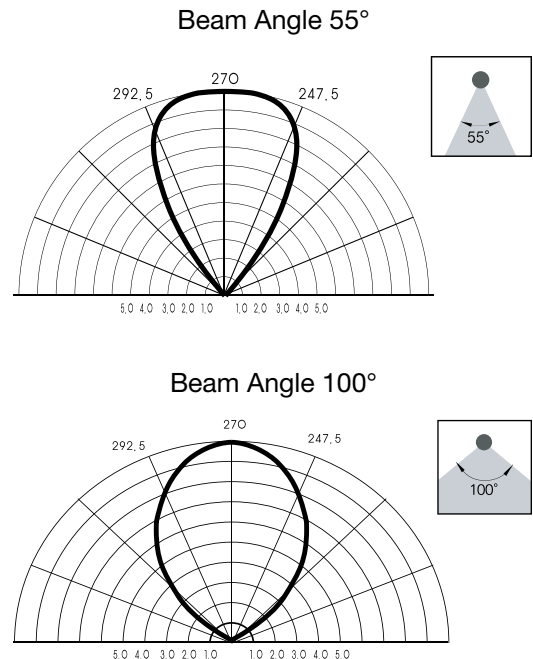
The AC BAR LED Luminaire is a sleek, low profile, high output LED linear accent fixture. The AC BAR utilizes an onboard integral LED driver and power supply. 120VAC line voltage power is brought directly to the fixture for ease of installation and long runs with no need to locate and install a remote power supply. Integrated end mounting brackets allow for 180 degree rotation and aiming of the fixture. The lightweight, rigid extruded aluminum housing provides an effective heat sink for the High Brightness LEDs. End to end connections between fixtures allow continuous row mounting as well as the ability to follow corners and broad curved cove applications. Runs of up to 75 ft. on a single power feed are possible. The AC BAR is available in 4 nominal lengths of 1ft., 2ft., 3ft. and 4ft sizes. The AC BAR LED Luminaire provides an unprecedented combination of energy efficiency, lumen output, true white light, very long life and flexible mounting configurations. The AC BAR delivers **“savings without sacrifice”**.

Specifications

Power Consumption:	4 watts/ft.
Light Output:	192 lumens/ft.
Efficacy (Lm/W):	60 lumens/watt
Rated Life:	50,000 hours
LED spacing:	0.5 inches O.C.
Input Voltage:	100-240VAC.
Input Frequency:	50Hz/60Hz
Connectors:	Integral male/female connectors
Housing:	Anodized extruded aluminum
Lens:	Optically clear, High transmission acrylic
Burning Position:	Universal
Beam Angle:	55° 100°.
Available Colors:	Warm White (WW) – 3000K Cool White (CW) – 7200K Red (R) Green (G) Blue (B)
Output Characteristics:	No UV or IR produced
Operating Temp:	-4° F to 104° F (ensure adequate ventilation and airflow around fixture, ambient not to exceed 104° F)
Weight:	See chart
Regulatory:	UL Listed indoor Exceeds CA Title 24 efficiency requirements RoHS Compliant
Warranty:	2 Year Limited Warranty



Photometrics

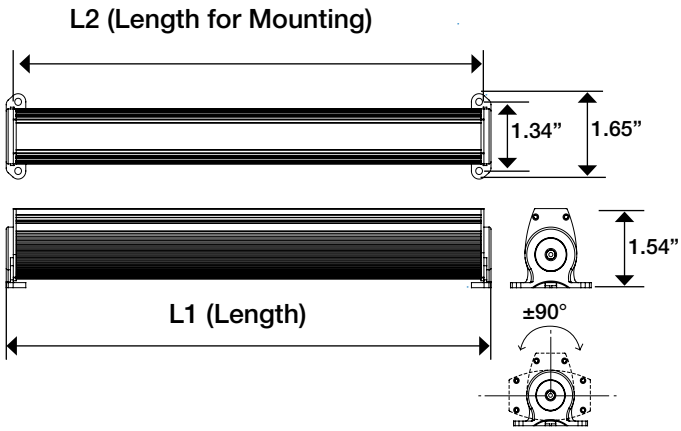


IES files can be down-loaded from website.

Ordering Information

Series	Color	Beam Angle
DAB-03 (1ft)	WW (3000K)	55 Degree
DAB-06 (2ft)	CW (7200K)	100 Degree
DAB-09 (3ft)	R (Red)	
DAB-12 (4ft)	G (Green)	
	B (Blue)	

Dimensions

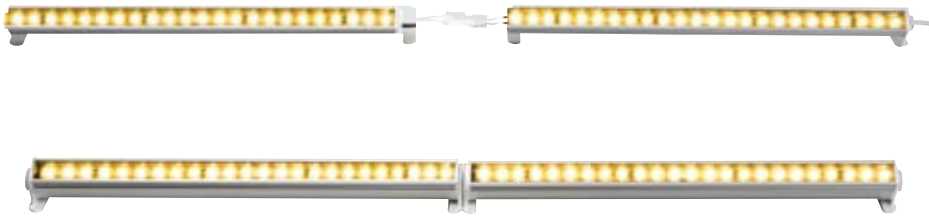


Fixture Details

	DAB-03	DAB-06	DAB-09	DAB-12
Nominal Length	1 ft.	2 ft.	3 ft.	4 ft.
L1 (Inches)	12.6	24.41	36.22	48.03
L2 (Inches)	11.85	23.66	35.47	47.28
Input Power	4 watts	8 watts	12 watts	16 watts
Input Current	80 mA	160 mA	250 mA	300 mA
Light Output	192 lumens	384 lumens	576 lumens	768 lumens
Weight	10.6 oz	13.0 oz	17.6 oz	23.3 oz
Max Fixtures per Feed	75	37	25	18
Max Run Length	75 ft.	74 ft.	75 ft.	72 ft.

NOT FOR USE ON DIMMING CIRCUITS

Continuous Row Mounting



Minimal gap of 1" O.C. between adjacent fixtures LED's when mounted in a continuous row configuration.

Typical Corner Mounting



Accent Lighting



Cove Lighting

