

Catalog:	
Type:	Notes:
Project:	

DLL-08 LUMINAIRE MR16 TYPE LED DOWNLIGHT

Applications

Retail and Commercial adjustable downlighting, exhibits, displays, museums and residential use.

Product Description

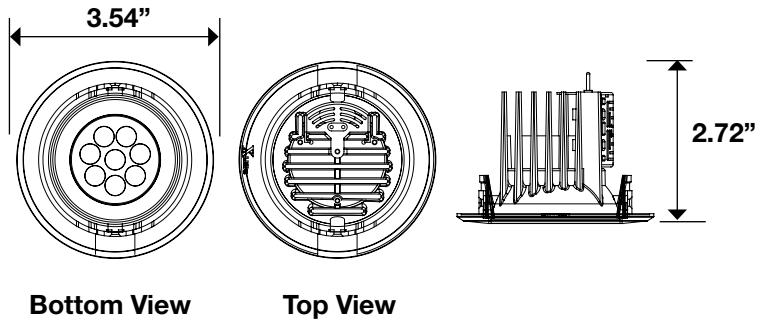
The DLL-08 is an MR16 size adjustable LED downlight that installs easily into any 2 Pin (GU5.3/GX5.3) low voltage (12V) socket. The DLL-08 delivers energy savings of up to 35% with up to 25 times the life span of MR16 halogen downlights. A unique integral thermal management system transfers heat away from the high brightness LED's and the onboard driver, allowing for exceptionally high luminous efficacy, lower junction temperatures, reliable longer life and a small footprint in the ceiling. The Galaxy DLL-08 provides an unprecedented combination of energy efficiency, lumen output, true white light and very long life. The DLL-08 delivers **"savings without sacrifice"**.

Specifications

Input Power:	7 watts
Light Output:	296 initial lumens
Efficacy (Lm/W):	42 Lumens/Watt
MBCP:	440 cd.
Rated Life:	50,000 hours
Input Voltage:	12VAC remote to fixture
Base:	2 pin (GU5.3/GX5.3)
Burning Position:	Universal
Beam Angle:	40° 60°
Available Colors:	Warm White (WW) – 3000K Cool White (CW) – 5500K Red (R) Green (G) Blue (B)
Output Characteristics:	No UV or IR produced
Operating Temp:	-4° F to 104° F
Weight:	4.23 oz.
Construction:	Die cast aluminum body with white trim ring. Easy to install spring mounting mechanism and electrical connection.
Regulatory:	Up to 43.3° aiming tilt angle UL Listed indoor Exceeds CA Title 24 efficiency requirements RoHS Compliant
Warranty:	2 Year Limited Warranty



Dimensions



Ordering Information

Series	Color	Beam Angle
DLL-08	WW (3000K) CW (5500K) R (Red) G (Green) B (Blue)	40 60

XLEDs USA

Energy Efficient LED Lighting
Retail

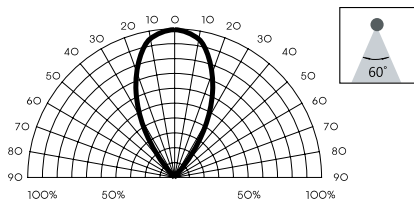


Display

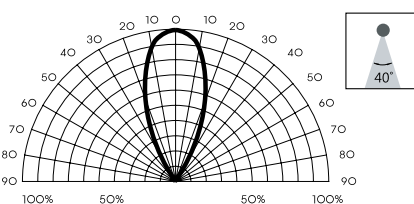


Photometrics

Radiation Angle 60°



Radiation Angle 40°

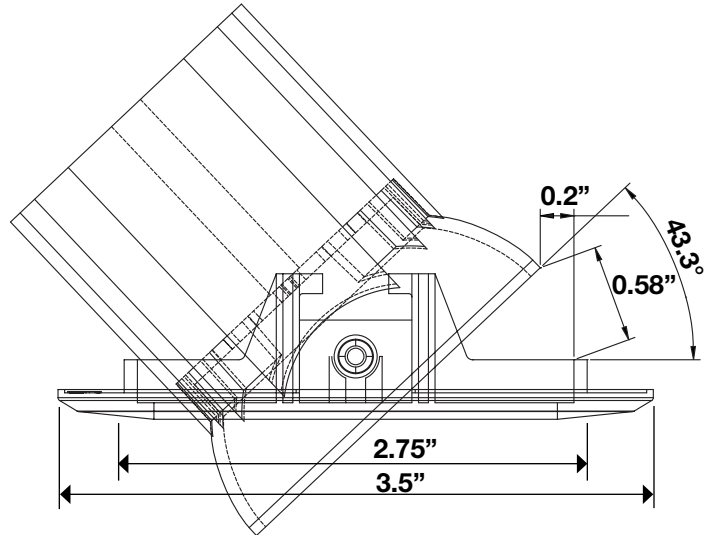


IES files can be down-loaded from website.

Ceiling Mount



Dimensions



Energy Analysis

	XLEDs MR16	20MR16 /HAL
Power consumption (watts)	7	20
Rated Life (hrs)	50,000	3,000
Average Cost/lamp	\$80.00	\$5.00
Lamp changes/50,000 hrs	0	16.7
Operating Hours/Year (12 hrs/day)	4,380	4,380
Energy Cost \$/Kwh	\$0.10	\$0.10
Labor Cost/lamp replacement	\$5.00	\$5.00
Results:		
Energy Savings over 50,000 hrs =	\$65	
Replacement Lamp savings =	\$83	
Replacement Labor savings =	\$83	
Total Savings =	\$231	
Less cost of XLED's Downlight =	\$80	
Net savings per socket =	\$151	

Installation Guidelines

Ensure adequate ventilation and airflow around downlight, ambient temperature not to exceed 104° F (40° C)

For use in indoor locations only

For retrofit applications, may not fit all existing MR16 downlight ceiling openings. Please ensure fit prior to installation.

May not be compatible with all electronic transformers due to the low power consumption of the fixture. Some transformers require a minimum load that exceeds the power consumption of the DLL-08. Check compatibility before installation.

NOT FOR USE ON DIMMING CIRCUITS