

Catalog:	
Type:	Notes:
Project:	

GALAXY 3022S SERIES PAR 30 LED LAMP

Applications

Retail and Commercial track, accent, display and downlighting

Product Description

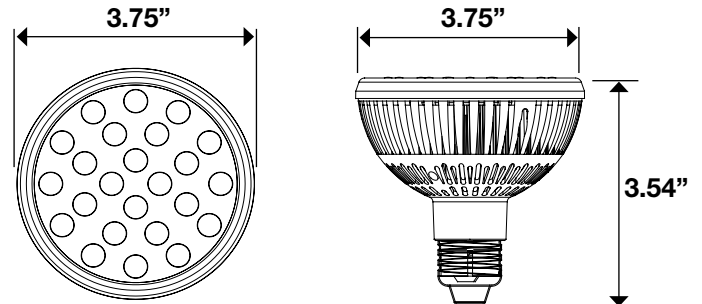
The Galaxy 3022S is a PAR30 LED lamp that installs easily into any medium base socket and is a direct replacement for incandescent Reflector (R) and halogen PAR type lamps. The Galaxy 3022S delivers energy savings of up to 81% with up to 25 times the life span of the lamps that it replaces. White light output is equivalent to an 85BR30 incandescent or 65PAR30 halogen lamp. A unique integral, active thermal management system drives heat away from the high brightness LED's, allowing for exceptionally high luminous efficacy, lower junction temperatures, reliable long life and a small form factor. The Galaxy 3022S provides an unprecedented combination of energy efficiency, lumen output, true white light and very long life. The Galaxy 3022S delivers *"savings without sacrifice"*.

Specifications

Input Power:	16 watts
Light Output:	888 initial lumens
Efficacy (Lm/W):	56 Lumens/Watt
MBCP:	1369 cd.
Rated Life:	50,000 hours
Input Voltage:	100-240VAC.
Bulb:	PAR30
Base:	Medium Base (E26/E27)
Burning Position:	Universal
Beam Angle:	40° 60°
Available Colors:	Warm White (WW) – 3000K Cool White (CW) – 5500K Red (R) Green (G) Blue (B)
Output Characteristics:	No UV or IR produced
Operating Temp:	-4° F to 104° F
Weight:	8.8 oz.
Regulatory:	UL Listed indoor Exceeds CA Title 24 efficiency requirements RoHS Compliant
Warranty:	2 Year Limited Warranty



Dimensions



Ordering Information

Series	Color	Beam Angle
GA3022S	<input type="text"/> WW (3000K) CW (5500K) R (Red) G (Green) B (Blue)	<input type="text"/> 40 60

Display



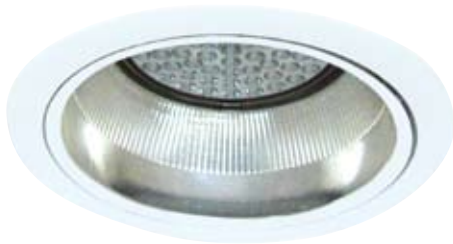
Office



Retail



Downlight



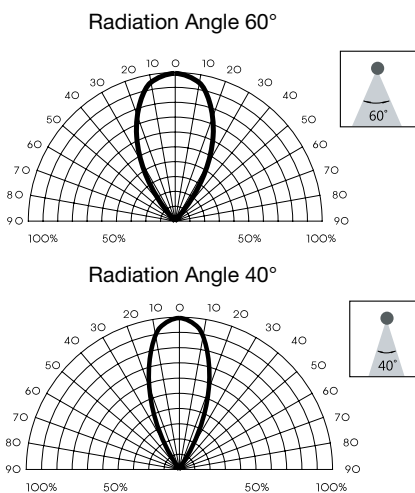
Gimbal Ring



Medium Base Lampholder



Photometrics



IES files can be down-loaded from website.

Energy Analysis

	XLEDs PAR30 LED	60PAR30 /HAL
Power consumption (watts)	16	60
Rated Life (hrs)	50,000	3,000
Average Cost/lamp	\$150.00	\$5.00
Lamp changes/50,000 hrs	0	16.7
Operating Hours/Year (12 hrs/day)	4,380	4,380
Energy Cost \$/Kwh	\$0.10	\$0.10
Labor Cost/lamp replacement	\$5.00	\$5.00
Results:		
Energy Savings over 50,000 hrs =	\$220	
Replacement Lamp savings =	\$83	
Replacement Labor savings =	\$83	
Total Savings =	\$386	
Less cost of PAR 30 LED lamp =	\$150	
Net savings per socket =	\$236	

Installation Guidelines

Ensure adequate ventilation and airflow around lamp, ambient temperature not to exceed 104°F (40°C)

For use in indoor locations only

May not fit in all gimbal ring PAR30 type fixtures. Please ensure fit prior to installation.

Not for use in sealed fixtures.

NOT FOR USE ON DIMMING CIRCUITS